

HYUNDAI

4K 8MP 4IN1 IR
Indoor Dome Camera
with Motorized Lens

8MP 4K 4IN1 IR Indoor Dome Camera with Motorized Lens



Model: HY-AHD4K8D25IR-AF



Features:

- 4-in-1 HD AHD / TVI / CVI / optional output
- 4K resolution 3840 x 2160P
- Ultra low illumination 0.01Lux
- Up to 300M long distance and high speed real time monitoring
- OSD menu control up the coaxial cable (UTC)
- Day/Night (ICR), ATW, AGC, BLC, 2D/3D-DNR
- IR-Smart, Mirror, Flip, Rotate, LSC
- Lightning protection
- Strong water-proof housing, IP65
- 18 pcs New IR Leds, IR distance 20-25 meters
- 2.8-12 mm Motorized lens

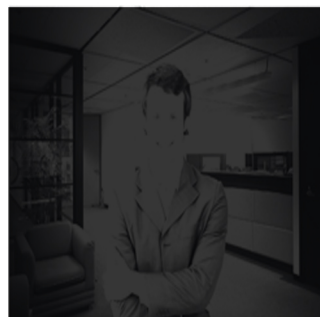
2MP



8MP



SMART IR: OFF



SMART IR: OFF



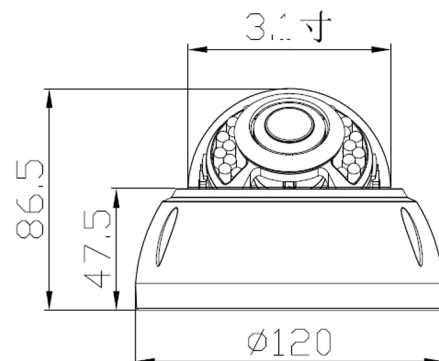
HYUNDAI

4K 8MP 4IN1 IR Indoor Dome Camera with Motorized Lens

Specification:

Model	HY-AHD4K8D25IR-AF
Camera	
Image Sensor	8 Mega pixels CMOS
Chipset	1/2.3" OV12895+NVP2481H
Effective Pixels	3840(H)×2160 (V)
Video Resolution	8 MP:HDTV/VI/CVI/AHD:15fps@3840x2160P, CVBS:25/30fps@960H
Electronic Shutter	AUTO, 1/25 - 1/50,000s
Min. Illumination	0.01Lux@F1.2 (AGC ON), 0Lux IR on
Video System	PAL/NTSC
Video Output	1 -BNC, HDCVI / HDTV/VI/AHD/CVBS , adjustable
Video Switch	Dip Switch
Day/Night	Auto/Color/(B/W)/EXT
Shutter	AUTO/FLK
White Balance	ATW
AGC/BLC	Support
DNR	2D 3D NR
OSD Menu	Multiple languages OSD menu control up the coaxial cable (UTC)
Other	IR-Smart, Mirror, Flip, Rotate, LSC
IR Led	
IR Led	18 pcs SMD IR Leds
IR Distance	20-25 M
Lens	
Focal length	2.8-12mm Motorized Lens
General	
Power Supply	12 VDC ± 10%
Power Consumption	< 5 W
Operating Temp.	-20°C-(+60)°C, 10%-90%RH

Deminsion:



Ultra High Definition



Up The Coax



Low Light Illumination



3D DNR



Smart IR



Vandal Proof



Motorized Lens